

# Most Cost-Effective

# CHC170

Single Phase Smart Card Meter

## SWARM series

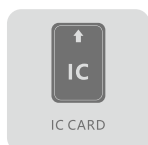
# CHNT

Empower the World

## Instrument & Meter



- ⊙ IC Card Prepayment
- ⊙ Balance Alarm
- ⊙ Multiple Data Encryption



## CHC170

### Single Phase Smart Card Meter DDSY666

## SPECIFICATIONS

#### Measurement

- Compliance with IEC
- Connection type: 1P2W
- Accuracy: Class 1.0 for active

#### Voltage

- Nominal voltage (Un): 220V ~ 240V
- Operating range: 0.7Un ~ 1.2Un
- Power consumption: ≤1.5W, 5VA

#### Current

- 5(60)A/10(100)A

#### Frequency

- 50Hz or 60Hz

#### LCD Display

- 6 characters of 7 segment display
- Digital size: 4.2mm × 9.2mm
- With backlight
- Auto scroll and scroll with push button
- Reverse power

#### Battery

- Built-in Battery
- Voltage: 3.6V nominal
- Backup time: 15 years with power

#### Measured Values

- Active energy
- Cumulative and credit energy

#### Relay

- Internal relay
- One relay / 120A
- Relay will disconnected when meter overload (configure)

#### Communications

- Optical port
- RS485 port

#### Alarm

- Level one alarm energy
- Level two alarm energy

#### Security

- One card one password
- Multiple data encryption

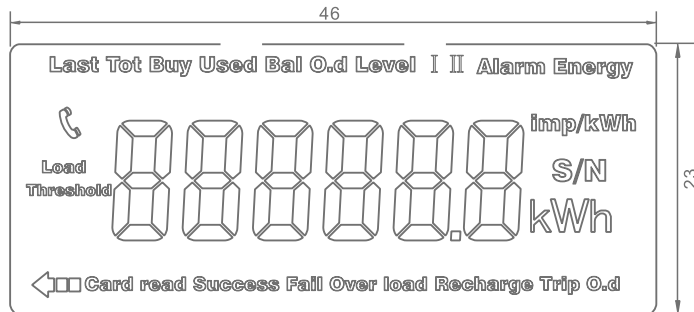
#### Environmental

- Operating range limit: -40°C to +75°C
- Storage range limit: -40°C to +85°C
- Relative humidity: ≤ 95%RH
- Ingress protection: IP51

#### Dimensions and weight

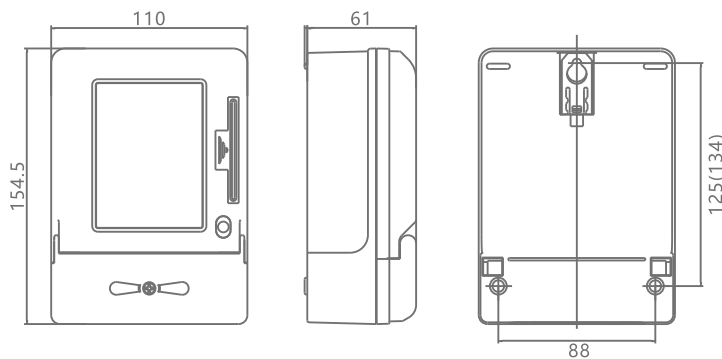
- Dimensions: 154.5mm × 110mm × 61mm
- Weight: 0.6 kg (Approx.)

## LCD INDICATION



Units:mm

## METER DIMENSIONS



Units:mm



Zhejiang Chint Instrument & Meter Co., Ltd

Add: No.560, Yueming Road, Binjiang District, Hangzhou, Zhejiang, China P.C: 310052 Tel: +86-571-56977777

Fax: +86-577-62919588 E-mail: chintmeter@chint.com

Website://www.chintim.com/html/en/

\*All rights reserved. Specification and technical data are subject to change without notice. Please contact us to confirm relevant information on ordering.