

## ZG1.6S-65、ZG2.5S-65、ZG4S-65 (Steel) Photoelectric direct reading IoT diaphragm gas meter

### General

Based on our company's common meter, this type of wireless remote gas meter can collect the cumulative flow data of gas meter using direct reading technology. The meter can establish connection and communication with main station through GPRS modules, meanwhile, the main station can read the gas usage and meter status, and also recharge, price adjustment and valve control can be done by main station.

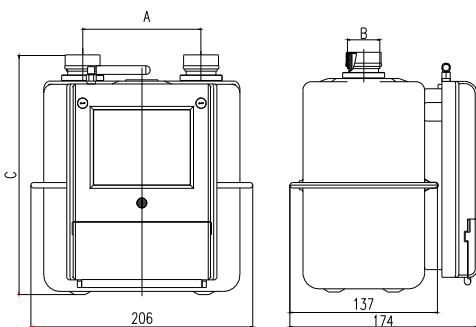
### Main function and Characteristic

- Data freeze: the data freeze can be done by daily and monthly;
- Metering conversion: adopt photoelectric direct reading technology, without any electromechanical conversion;
- Timing upload: data timing upload is supported;
- Event report: the abnormal information will be automatically reported to the main station;
- Ladder price function: gas valued meter supports 4 price levels. Amount valued meter supports 5 price levels;
- Remote control: authorize to remotely shut off the valve and remotely open the valve is supported;
- Remote price adjustment: include the adjustment for gas unit price and each level price;
- Remote recharge: remote recharge can be done by management center;
- Power-down measurement: real-time measurement still can be done after power down;
- Card function: IC card prepaid (optional).



### Appearance and installation size

A	90±0.50	110±0.50	130±0.50		
B	M26×1.5-6g	M30×2-6g	G¾B	G1B	G1½B
C		228			226



### Main technical parameters

Main index	Specification & type	ZG1.6S-65	ZG2.5S-65	ZG4S-65
Nominal flow-rate (qn)	m³/h	1.6	2.5	4
Max. flow-rate (qmax)	m³/h	2.5	4	6
Min. flow-rate (qmin)	m³/h	0.016	0.025	0.04
Operating pressure range	kPa	0.5-50		
Max. permissible error	qt≤q<qmax	±1.5%		
	qmin≤q<qt	±3%		
Total pressure loss	Pa	≤250		
Max. reading	m³	99999.999		
Min. reading	m³	0.0002		
Cyclic volume	dm³	1.2		
Working voltage	V	DC6V ( 4pcs#5 Alkaline battery)		
Sampling method		photoelectric direct reading		
Static working current	µA	≤20		
Max. instantaneous current	mA	≤500		
GPRS communication current	mA	< 200		
Communication mode		GPRS		
Communication frequency band		GSM850/EGSM900/DCS1800/PCS1900		
Transmitting power		GSM850 ( 2W ) 、 EGSM900 ( 2W ) 、 DCS1800 ( 1W ) 、 PCS1900 ( 1W )		
Receiving sensitivity	dBm	-108		
GPRSDatransferrate	kbps	85.6		
Communication distance		GSM Network full coverage		
Standard CJ/T112-2008、GB/T6968-2011、JJG577-2012、CJ/T188-2004、CJ/T503-2016				