

## ZG1.6-1、ZG2.5-1 (Aluminum) IC card diaphragm gas meter

### General

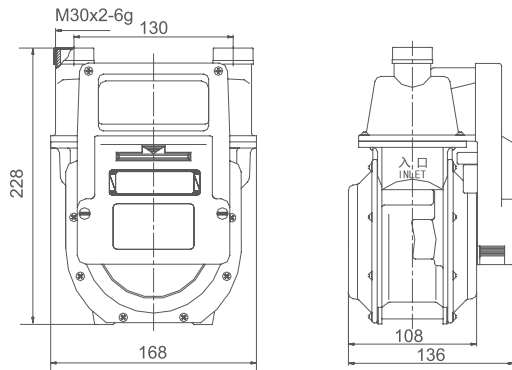
Based on our company's G type Aluminum gas meter, this type of product is designed and manufactured according to customer management needs, adopting ultra-low power with advanced ARM Cortex-M3 corer 32-bit microcontrollers of ST; intuitive display, complete control information, convenient installation and use, etc; it's used for gas measurement and charge control of natural gas and liquefied gas.



### Main function and Characteristic

- The max. permissible purchase gas can be set, to avoid customer hoarding large number of gas, in order to reduce the gas operator's loss caused by fluctuation of gas price;
- Intuitive interface to show the information such as insufficient remaining gas, the battery under pressure, etc.;
- Dual mechanism of sensor counting coexist, to avoid loss of gas measurement;
- Fault detection on sensor;
- Record and feedback of abnormal information;
- Optional function of overdraft using;
- Multiple certificate on data access to ensure data security and reliability;
- Low static power consumption; long battery life;
- adopting sealed module, which can effectively prevent the water vapor and fumes from the kitchen;
- 5 level ladder method is supported. Different prices can be valued for different use by setting settlement cycle (such as 1 month).

### Appearance and installation size



### Main technical parameters

Main index Specification& type		ZG1.61	ZG2.51
Nominal flow-rate ( $q_n$ )	m <sup>3</sup> /h	1.6	2.5
Max flow-rate ( $q_{max}$ )	m <sup>3</sup> /h	2.5	4
Min. flow-rate ( $q_{min}$ )	m <sup>3</sup> /h	0.016	0.025
Operating pressure range kPa		0.5~20	
Max. permissible error	$q_t \leq q \leq q_{max}$	±1.5%	
	$q_{min} \leq q < q_t$	±3%	
Total pressure loss	Pa	≤250	
Max. reading	m <sup>3</sup>	99999.999	
Min. reading	m <sup>3</sup>	0.0001	
Cyclic volume	dm <sup>3</sup>	0.9	
Working voltage	V	DC6V ( 4pcs #5 Alkaline battery)	
Pulse equivalency	m <sup>3</sup> /pulse	0.1or 0.01	
Static working current	μA	≤20	
Max. instantaneous current	mA	≤300	
Weight	kg	2	
Standard CJ/T112-2008, GB/T6968-2011, JJG577-2012			