

G1.6、G2.5 (Aluminum) Diaphragm gas meter

General

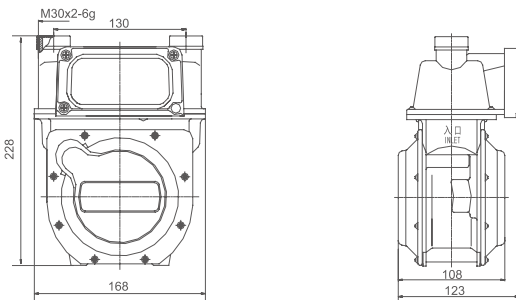
The product adopts die-casting aluminum alloy, with special surface treatment technique, which has high anti-corrosion ability, high sensitivity, accurate measurement, stable performance, and suitable for natural gas, liquefied petroleum gas and other gas flow measurement.



Main function and Characteristic

- Accurate measurement, stable performance, safety and reliability;
- It can provide the function of preventing reverse flow according to the requirement of customer;
- The online pressure test can be provided according to customer's requirement;
- The aluminum alloy case with special surface technique, with strong anti-corrosion capability;
- Its service life can reach 10 years.

Appearance and installation size



Main technical parameters

Main index Specification & type	G1.6	G2.5
Nominal flow-rate (q_n) m ³ /h	1.6	2.5
Max. flow-rate (q_{max}) m ³ /h	2.5	4
Min. flow-rate (q_{min}) m ³ /h	0.016	0.025
Operating pressure range kPa	0.5~20	
Max. permissible error	$q_t \leq q \leq q_{max}$	±1.5%
	$q_{min} \leq q < q_t$	±3%
Total pressure loss Pa	≤200	
Max. reading m ³	99999.999	
Min. reading m ³	0.0001	
Cyclic volume dm ³	0.9	
Accuracy class	1.5 Class	
Weight kg	1.65	
Standard GB/T6968-2011, JJG577-2012		

